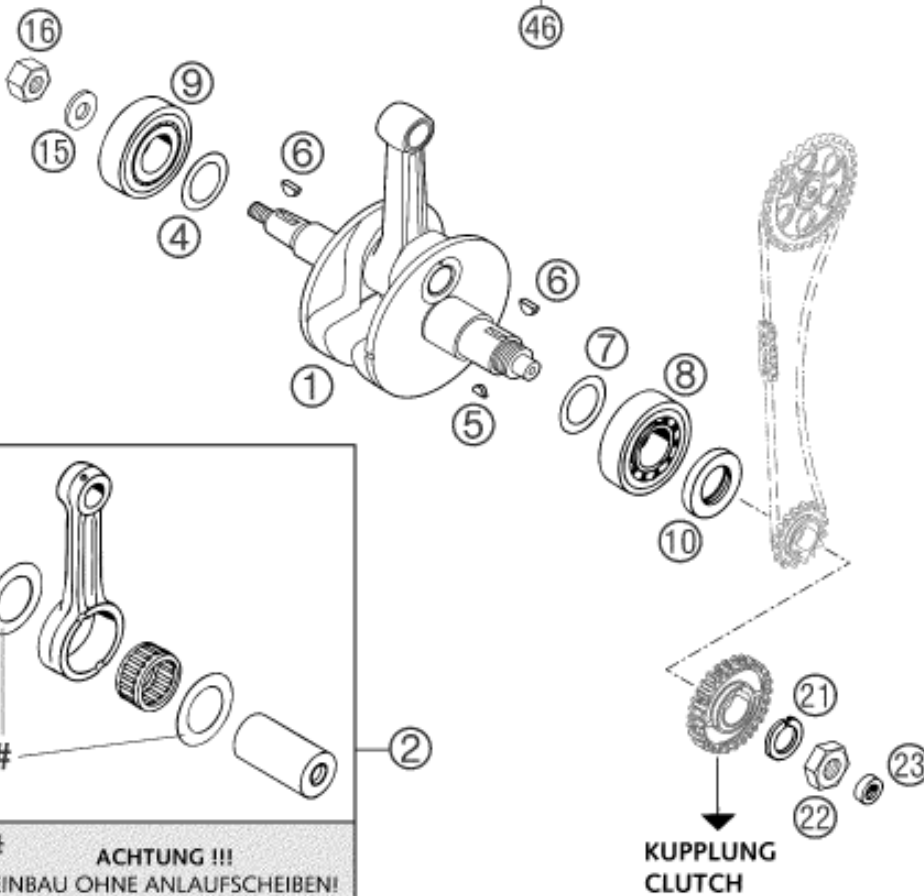
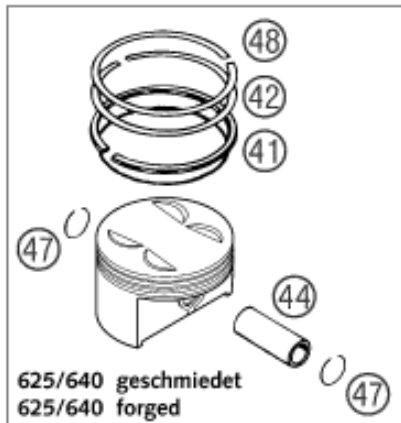


D=101mm



| Pos | Part Number | Description | Additional Text | Quantity |
|-----|-------------|------------------------------|-----------------------|----------|
| 1 | 58430018200 | CRANKSHAFT LC4 20 | STROKE 78MM | 1.00 |
| 2 | 58330015044 | CONNECTING ROD REPAIR SET LC | 620/640 CCM L=141,5MM | 1.00 |
| 4 | 56530081000 | SHIM WASHER 36X48X0,10 | | 0.00 |
| 4 | 56530081100 | SHIM WASHER 36X48X0,15 | | 0.00 |
| 4 | 56530081300 | SHIM WASHER 36X48X0,30 | | 0.00 |
| 5 | 0888030050 | WOODRUFF KEY DIN6888-3X5X13 | | 1.00 |
| 6 | 6946005 | WOODRUFF KEY 5X6,5 HARDED | | 2.00 |
| 7 | 56030081000 | THRUST WASHER 30,5X45X0,10 | | 0.00 |
| 7 | 56030081100 | THRUST WASHER 30,7X47X0,15 | | 0.00 |

| | | | | |
|----|----------------|--------------------------------|--|------|
| 7 | 56030081200 | THRUST WASHER 30,5X45X0,30 | | 0.00 |
| 8 | 58030082000 | CYL.ROLLER BEARING NJ 306 C3 | | 1.00 |
| 9 | 56530123000 | CYL.ROLLER BEAR. NJ 207 ECP C3 | | 1.00 |
| 10 | 0760304772 | SH.SEAL RING 30X47X7 BSL VITON | | 1.00 |
| 15 | 58330095000 | STEEL WASHER 16 X 30 X 3 | | 1.00 |
| 16 | 58430028000 | HEX NUT M16x1,25 L/S | | 1.00 |
| 21 | 58030019000 | LOCKING RING VSK 20 | | 1.00 |
| 22 | 0936200155 | HEXAGON NUT DIN0936-M20X1,5 | | 1.00 |
| 23 | 0760122270 | SHAFT SEAL RING 12 X 22 X 7 B | | 1.00 |
| 41 | 58330031300 | OIL SCRAPER RING 101x2,5 | | 1.00 |
| 42 | 58330932100 | TAP.COMPR.PISTON RING 101X1,25 | | 1.00 |
| 44 | 58330833000 | PISTON PIN 22 X 13 X 60 | | 1.00 |
| 46 | 58430007100 I | PISTON I CPL. D=101 ELKO 03 | | 1.00 |
| 46 | 58430007100 II | PISTON II CPL. D=101 ELKO 03 | | 1.00 |
| 47 | 58430074000 | CIRCLIP 22 X 1,6 | | 2.00 |
| 48 | 58430032000 | L-RING 101X93,5X1,5 2000 | | 1.00 |