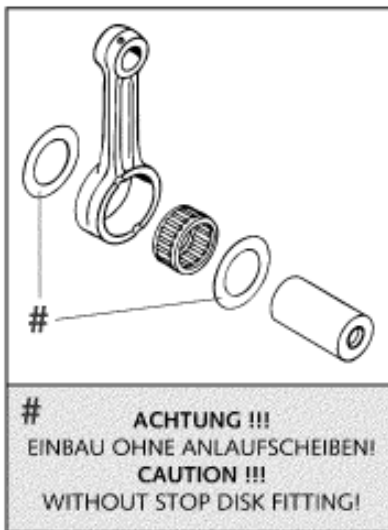
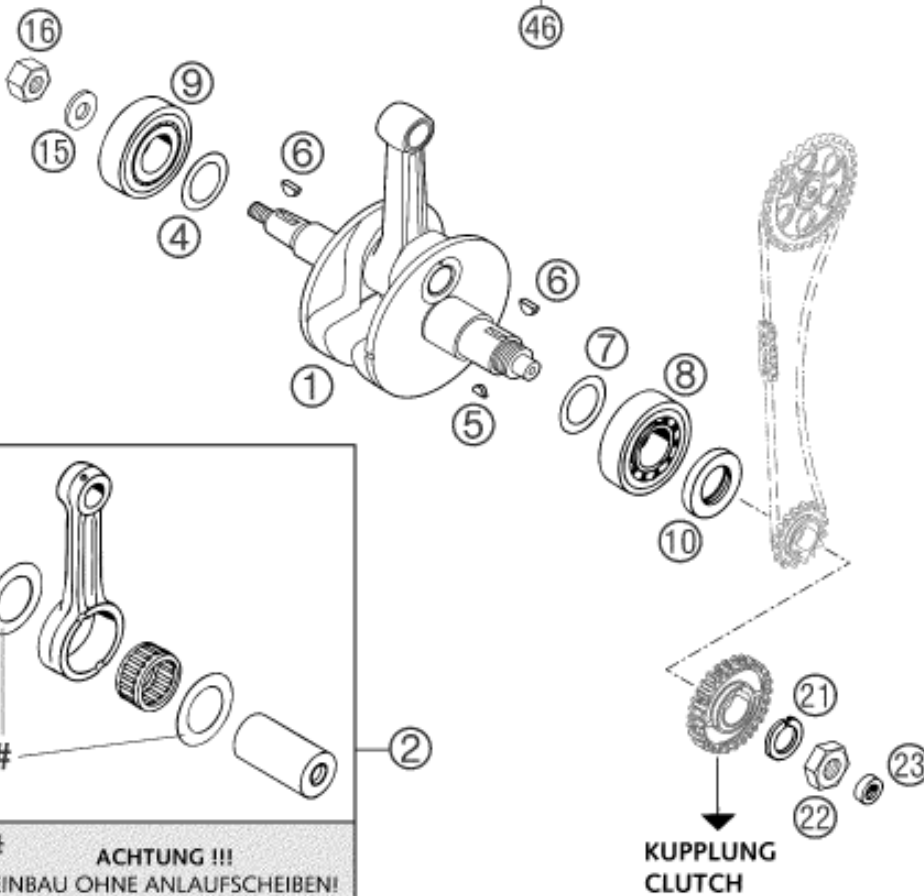
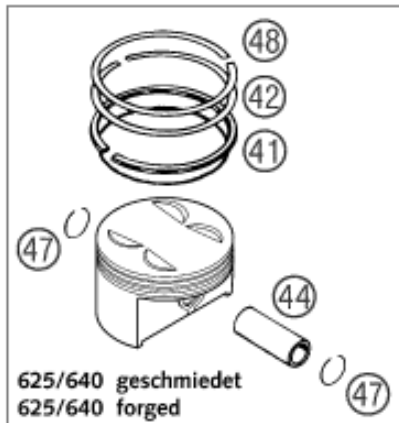


D=101mm



Pos	Part Number	Description	Additional Text	Quantity
1	58430018200	CRANKSHAFT LC4 20	STROKE 78MM	1.00
2	58330015044	CONNECTING ROD REPAIR SET LC	620/640 CCM L=141,5MM	1.00
4	56530081000	SHIM WASHER 36X48X0,10		0.00
4	56530081100	SHIM WASHER 36X48X0,15		0.00
4	56530081300	SHIM WASHER 36X48X0,30		0.00
5	0888030050	WOODRUFF KEY DIN6888-3X5X13		1.00
6	6946005	WOODRUFF KEY 5X6,5 HARDED		2.00
7	56030081000	THRUST WASHER 30,5X45X0,10		0.00
7	56030081100	THRUST WASHER 30,7X47X0,15		0.00

7	56030081200	THRUST WASHER 30,5X45X0,30		0.00
8	58030082000	CYL.ROLLER BEARING NJ 306 C3		1.00
9	56530123000	CYL.ROLLER BEAR. NJ 207 ECP C3		1.00
10	0760304772	SH.SEAL RING 30X47X7 BSL VITON		1.00
15	58330095000	STEEL WASHER 16 X 30 X 3		1.00
16	58430028000	HEX NUT M16x1,25 L/S		1.00
21	58030019000	LOCKING RING VSK 20		1.00
22	0936200155	HEXAGON NUT DIN0936-M20X1,5		1.00
23	0760122270	SHAFT SEAL RING 12 X 22 X 7 B		1.00
41	58330031300	OIL SCRAPER RING 101x2,5		1.00
42	58330932100	TAP.COMPR.PISTON RING 101X1,25		1.00
44	58330833000	PISTON PIN 22 X 13 X 60		1.00
46	58430007100 I	PISTON I CPL. D=101 ELKO 03		1.00
46	58430007100 II	PISTON II CPL. D=101 ELKO 03		1.00
47	58430074000	CIRCLIP 22 X 1,6		2.00
48	58430032000	L-RING 101X93,5X1,5 2000		1.00