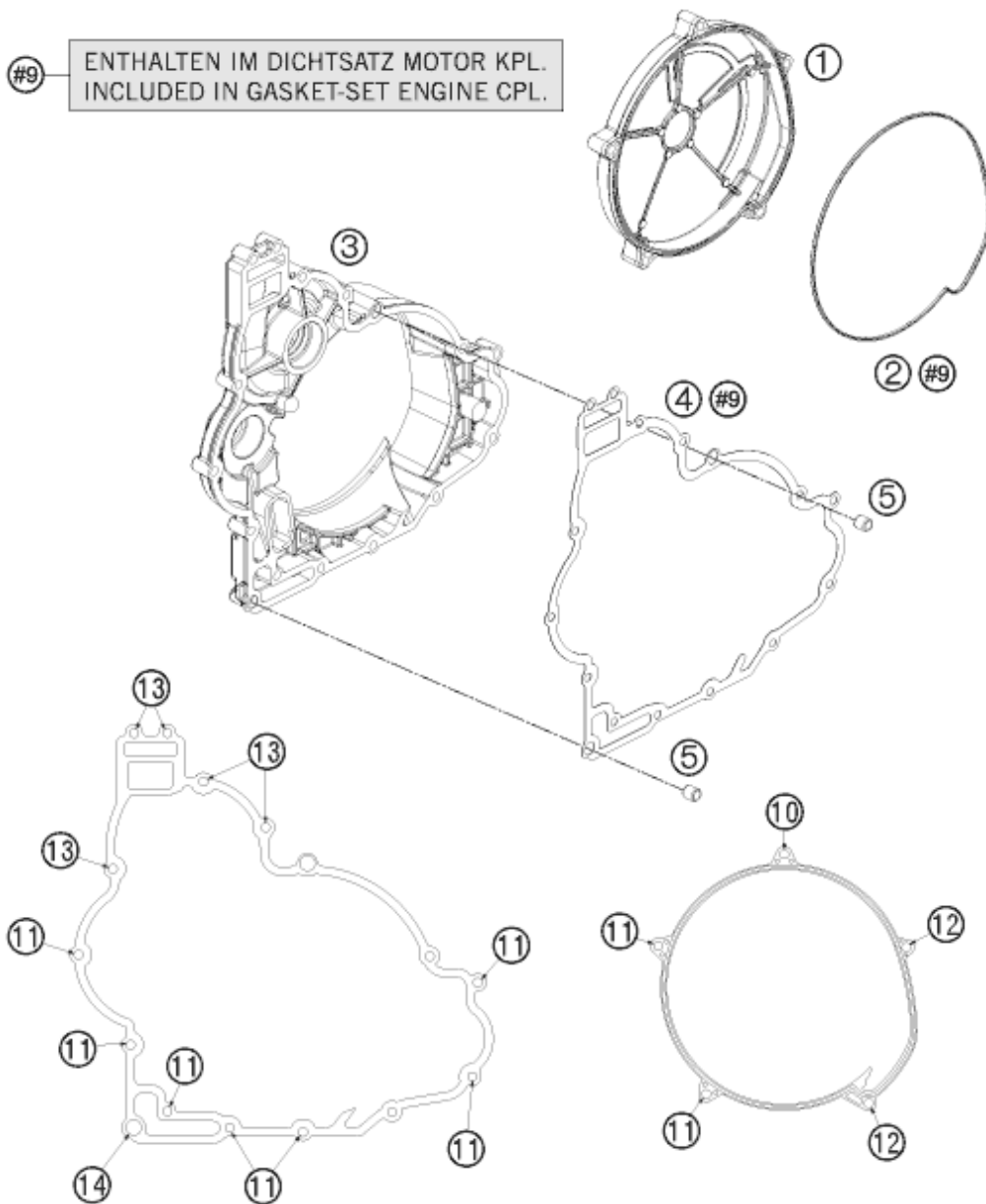


#9 ENTHALTEN IM DICHTSATZ MOTOR KPL.
INCLUDED IN GASKET-SET ENGINE CPL.



Pos	Part Number	Description	Additional Text	Quantity
1	6123002600041	OUTER CLUTCH COVER 09		1.00
2	61230027000	MOLDED RING OUTER CLUTCH COVER		1.00
3	6123000114441	CLUTCHCOVER WITH BEARING		1.00
4	61230025000	CLUTCH COVER GASKET 08		1.00
5	49030090000	DOWEL 9,8 X 7 X 10	FS-E	2.00
10	0025060956	HH COLLAR SCREW M6X95 TX30		1.00
11	0025060306	HH collar screw M6x30 TX30		9.00
12	0025060906	HH COLLAR SCREW M6X90 TX30		2.00
13	0025060456	HH COLLAR SCREW M6X45 TX30		5.00
14	0025060356	HH collar screw M6x35 TX30		1.00